

COMPATIBLE

WITH MULTI SPINDLE LATHES



FAST CHANGING CLAMPING COLLETS FOR MULTI SPINDLE LATHES

Unilock®

INNOVATIVE SOLUTIONS FOR CLAMPING SYSTEMS

FAST CHANGING CLAMPING COLLETS FOR MULTI SPINDLE LATHES



UNILOCK SP CLAMPING COLLETS (for multi spindle lathes), are composed of metal inserts joined by vulcanised rubber. This allows the collet to close radially in a perfect manner, blocking the part along the entire length of the hole and eliminates the intrusion of shavings inside the spindle. Moreover, the construction flexibility of the system allows easy specific solutions (drawn bars, rolled items and pipes).

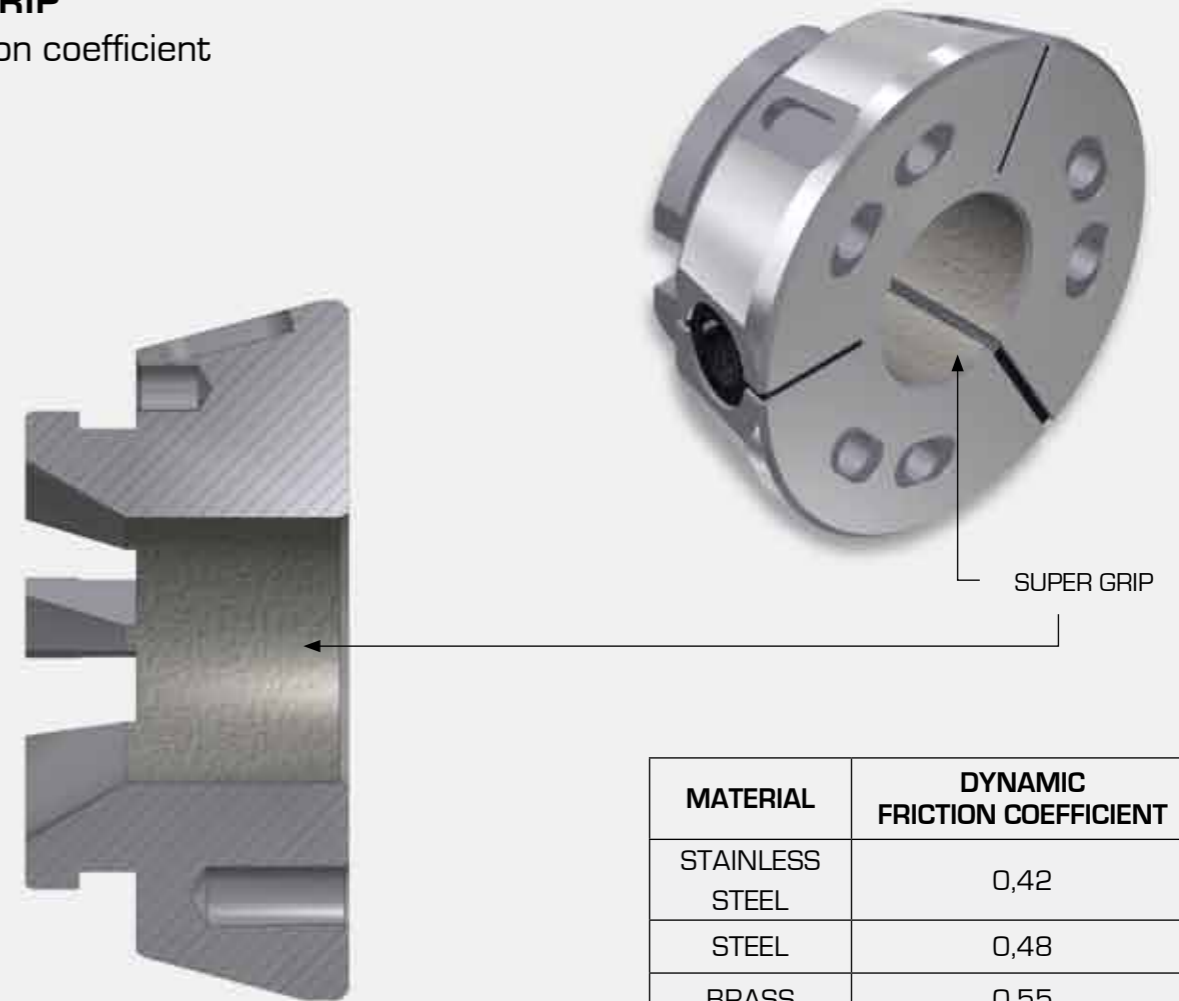
For multi spindle lathes:
**GILDEMEISTER, INDEX, MORI-SAY
 SCHUTTE, WICKMAN**

ADVANTAGES

- **UNILOCK CLAMPING COLLETS** close with tapered coupling. This feature allows a bar clamping over the entire length of the collet hole with a force from 5 to 10 times greater than conventional collets;
- Excellent elasticity;
- Reduction of vibrations;
- Less tool wear;
- No wear on the collet;
- Does not mark the surface of the part;
- Fast collet change;
- Fewer machine downtimes.

SUPER GRIP

High friction coefficient



MATERIAL	DYNAMIC FRICTION COEFFICIENT
STAINLESS STEEL	0,42
STEEL	0,48
BRASS	0,55
NO COATING	0,18

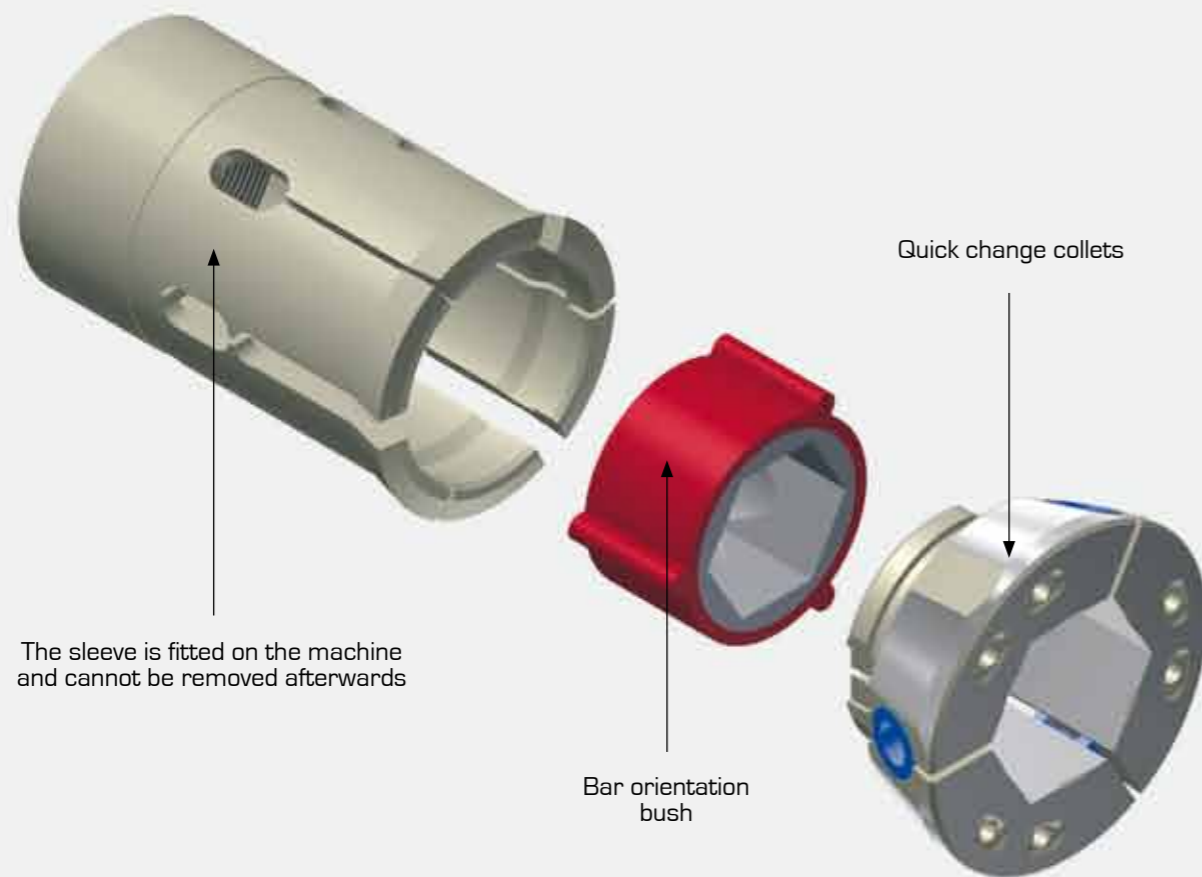
SUPER GRIP CLAMPING COLLETS

SUPER GRIP COLLETS

as well as maintaining the basic features, it has an interior "rough" coating with high friction coefficient, which increases the clamping force even further.

The "dynamic friction coefficient" is determined on the basis of the roughness present inside the collet and must be considered according to the type of material to be machined (e.g. stainless steel, steel, brass). SEE TABLE

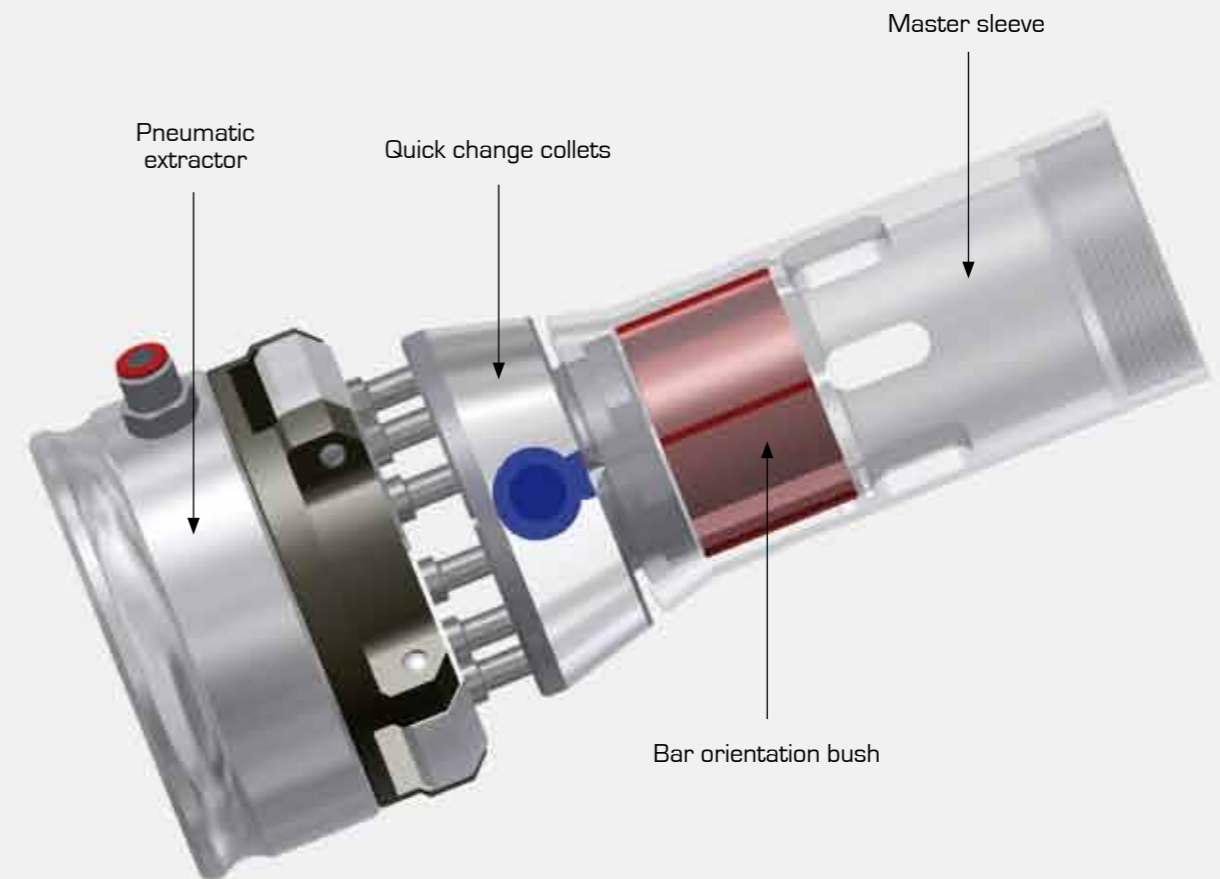
TECHNICAL FEATURES Centring bush



In multi spindle lathes equipped with an automatic bar loader - IEMCA or CUCCHI type - Unilock has created a housing inside the "mother" sleeve of a centring bush to facilitate insertion of the bar in the collet, especially for hexagon or square bars or special drawn ones.



TECHNICAL FEATURES Fast collet change



Collet disassembly and change operations are simple and fast thanks to the use of a pneumatic extractor.



COMPATIBLE HAINBUCH

COMPATIBLE HAINBUCH	ITEM	MACHINE
GILDEMEISTER	SPH 0164	GM 35
	SPH 6970 - BZ	AS 32 - GM 35
SCHUTTE	SPH 0096 - ZW	36 PC
	SPH 0098 - ZW	51 PC - 7/46
	SPH 6970 - BZ	SF/AF 32 - 32 PC
	SPH 6970 - ZW	SE 26 - SF 25 - SCX 26
	SPH 9039 - BZ	SF/AF/SE 26 - SF 25 - SCX 26
	SPH 9039 ZW	-
	SPH 9007 - ZW	SG 18 - AG 20
INDEX	SPH 9022 - ZW	MS 22
	SPH 9039 - BZ	MS 25
	SPH 9039 - ZW	MS 25
	SMH 32 - ZW	MS 32
	SMH 65 - BZ	MS 52



For multi spindle lathes **GILDEMEISTER, INDEX, MORI-SAY, SCHUTTE, WICKMAN**

COMPATIBLE UNILOCK

UNILOCK	ITEM	MACHINE	E-Nr	THREAD
SCHUTTE	SPSCH 16	SE 16/18	9007 - E	M28 x 1 left
	SPSCH 20	SF 20	9016 - E	M30 x 1 left
	SPSCH 26	AF - SF 26 / SE 25	9039 - E	M40 x 1.5 left
	SPSCH 32	AF - SD - SF - VD 32	9070 - E	M47 x 1.5 left
	SPSCH 42	AD 40 / SF 42	9112 - E	M56 x 1.5 left
	SPSCH 50	SD - VD 50 / AF - SF 51	9139 - E	M68 x 1.5 left
	SPSCH 63	SD - VD 63	9179 - E	M82 x 1.5 left
	SPSCH 80	SD - VD 80 / AF - SF 81	9210 - E	M100 x 1.5 left

UNILOCK	ITEM	MACHINE	E-Nr	THREAD
WICKMAN	SPW 1	1" - 6 M	9034 - E	Ø 37.74 x 24 FIL left
	SPW 1 OS over size	1" V30/6M		Ø 44.2 x 1 FIL left
	SPW 13/8	1" 3/8 - 6.5 M	9072 - E	Ø 50.8 x 22 FIL left
	SPW 134	1" 3/4 - 6.5 M	9111 - E	Ø 60.45 x 16 FIL left
	SPW 214	2" 1/4 - 6 M	9142 - E	Ø 72.46 x 22 FIL left
	SPW 258	2" 5/8 - 6 M		Ø 85.72 x 18 FIL left
	SPW 314	3" 1/4 - 6 M		Ø 106.36 x 8 FIL left
	SPW 312	3" 1/2 - 1 M		

UNILOCK	ITEM	MACHINE	E-Nr	THREAD
GILDEMEISTER	SPGM 20	AS - GS - GM - GMC 20	9012 - E	M30 x 1 left
	SPGM 20 V 25	AS - GS - GM - GMC 20 V 25	9017 - E	M34.5 x 0.75 left
	SPAS 25	AS 25	9045 - E	M40 x 1 left
	SPGM 26	GM 26	-	-
	SPGM 35	GM 35 - AS 32 - GMC 35	9069 - E	M48 x 1.5 left
	SPGM 35 V 43	GMC 35 V 43	-	M52 x 1.5 left
	SPGM 35 V 40	GMC 35 V 40	-	M52 x 1.5 left
	SPGM 42	GM 42	9115 - E	M59 x 1.5 left
	SPAS 48	AS 48	9132 - E	M65 x 1.5 left
	SPAS 55	AS 55	-	-
	SPAS 67	AS 67	9178 - E	M85 x 1.5 left
	SPAS 82	AS 82	9209 - E	M102.5 x 1.5 left
	SPAS 100	AS 100	9239 - E	M122 x 1.5 left



Unilock[®]

www.unilock.it

UNILOCK s.a.s

V.le Edison, 56 - 20090 Trezzano sul Naviglio (Mi) - Italy - Tel. +39 02 48401499 - Fax +39 02 4450988 - Email info@unilock.it